

# TRANSFORMERS

## UNIVERSE

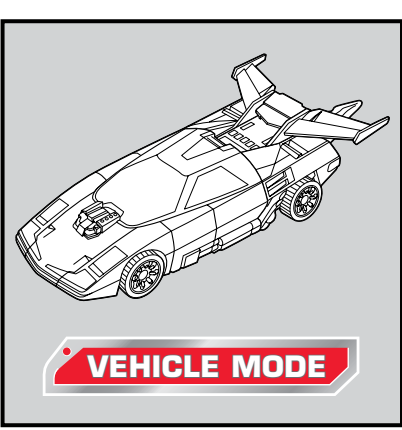
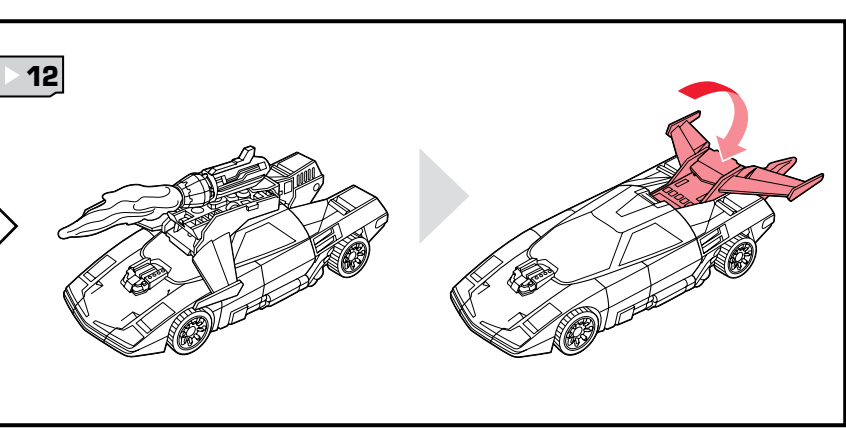
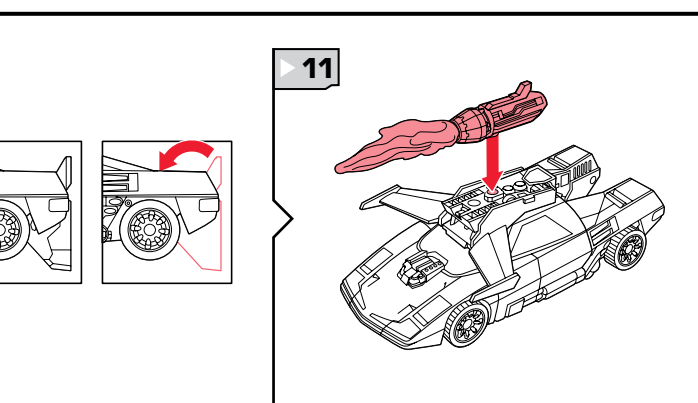
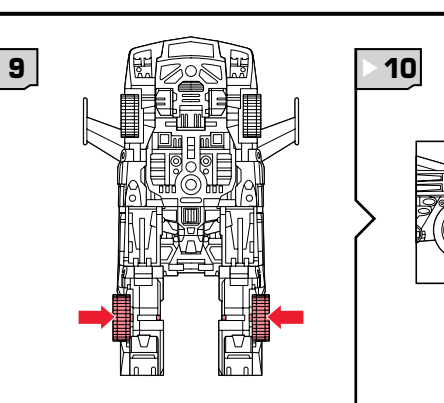
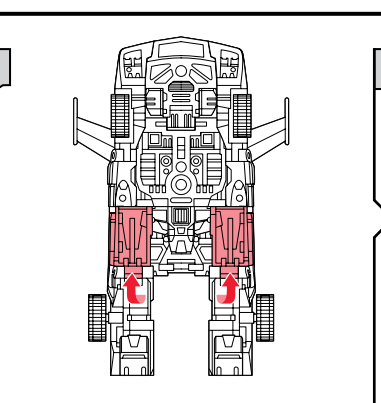
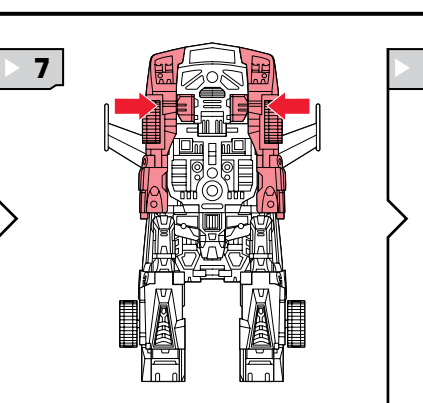
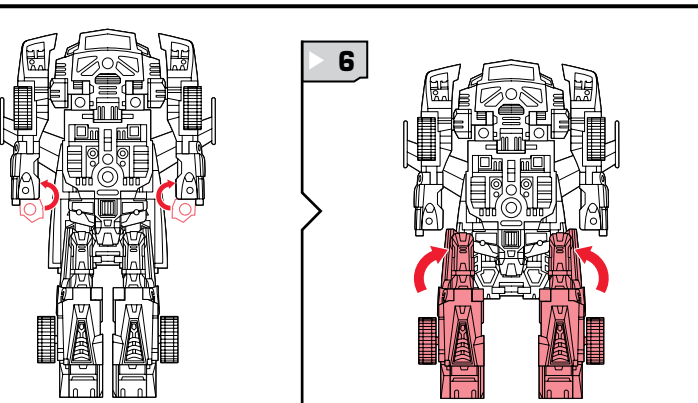
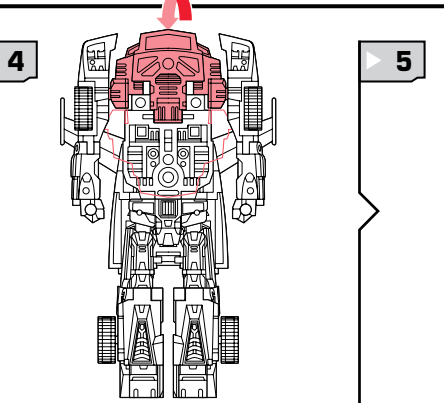
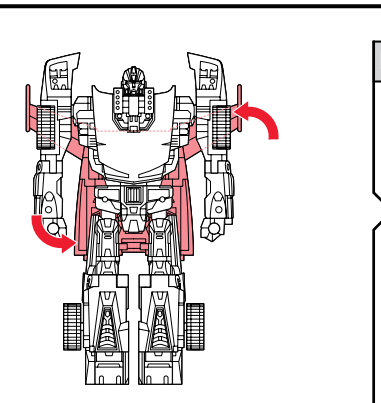
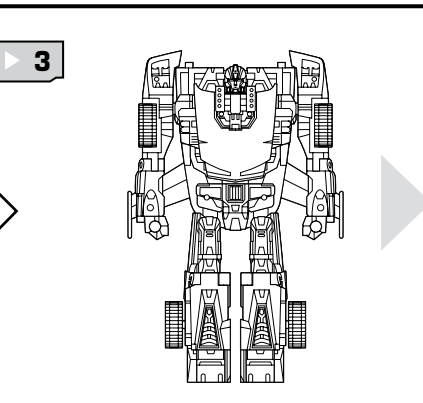
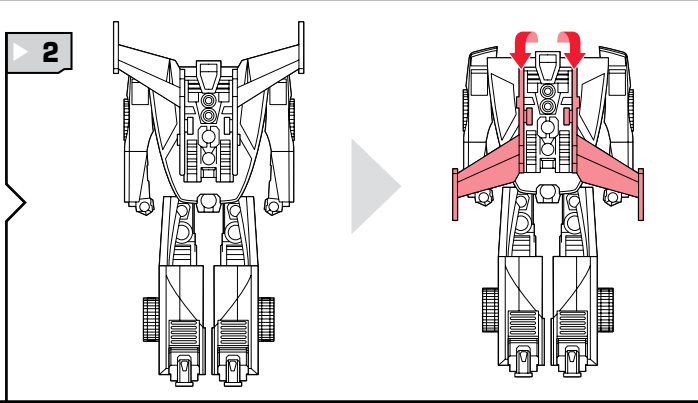
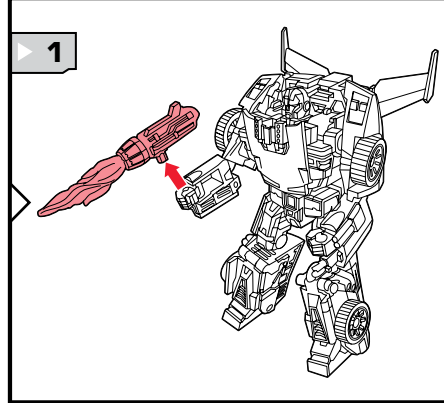
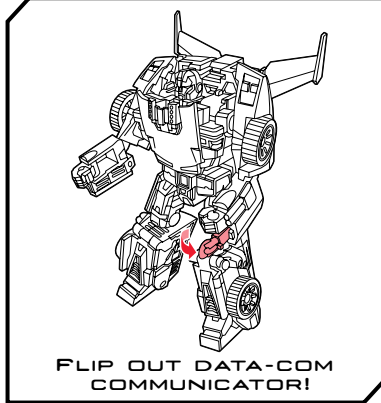
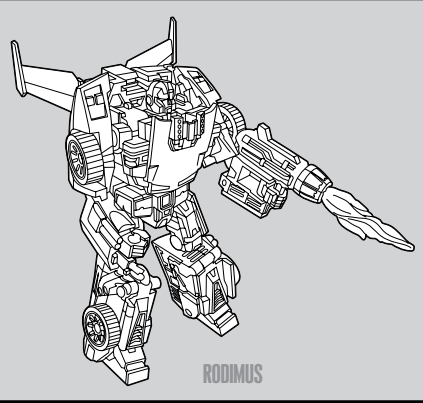


**WARNING:**  
CHOKING HAZARD-Small parts.  
Not for children under 3 years.

**AGES 5+**  
27099

NOTE: Some parts are made to detach if excessive force is applied and are designed to be reattached if separation occurs. Adult supervision may be necessary for younger children.

### CHANGING TO VEHICLE



Reverse order of instructions to convert back into robot.

